



Introductions

- ※ 180-264Vac input range, constant current and constant voltage driver
- ※ New and unique design, structure compact and lighter in weight
- ※ Use 2835 LED chips, LUMENS up to 130lm/W
- ※ 80% Energy-saving over traditional light
- ※ Using aluminum alloy shell, good heat dissipation ability
- ※ Quick and easy installation to minimize retrofit costs
- ※ A variety of functions available for selection
- ※ Longer lifetime than traditional light: >20,000 hours

Customized is available upon request for PIR

Features



※ Driver parameter

Driver Brand	JCWD
Input Voltage/Frequency	180-264VAC/50-60Hz
Power Efficiency	≥90% 230VAC at full load
Power Factor	PF≥0.90 230VAC at full load

※ Lamp parameter

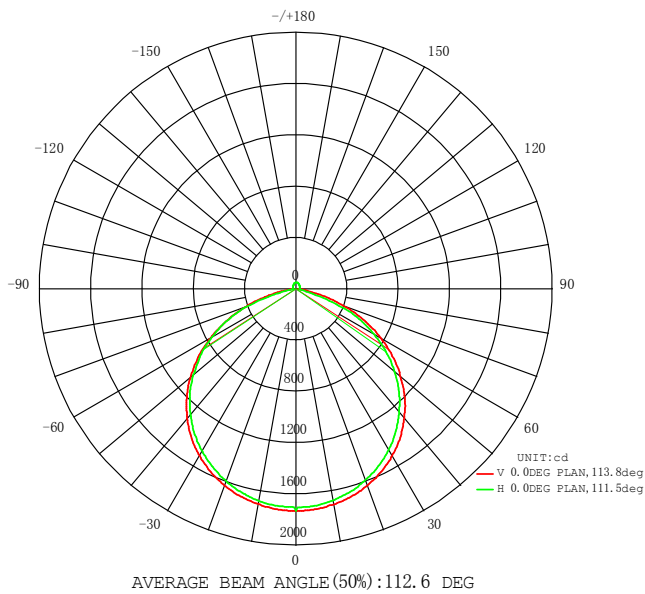
Model Number	AXKK-256-50
LED QTY (PCS)	1
System Consumption (W)	50±3.0
LED Power (W)	43±3.0
LED Working Voltage (DCV)	72±3.0
LED Initial Flux (lm)	>5,600 (Note1)
Lamp Luminous Flux (lm)	>4,750
Lamp Luminous Efficiency (lm/w)	>95
Color Temperature (K)	2700~6500 Typ:6500 (Note2)
Color Rendering Index (Ra>)	>80
Beam Angle (H,V)	114,115(at θ=50%)
Working Temperature (°C)	-20~+40
Storage Temperature (°C)	-30~+55
Life-span (Hrs)	≥20,000 (Note3)
The security level of LED lamps	Class I
IP Rating	IP65
Lamp Body Material	Aluminum alloy
The color of the lamp shell	Black or White
Certification	CE,RoHS,LVD

****Customized is available upon request****

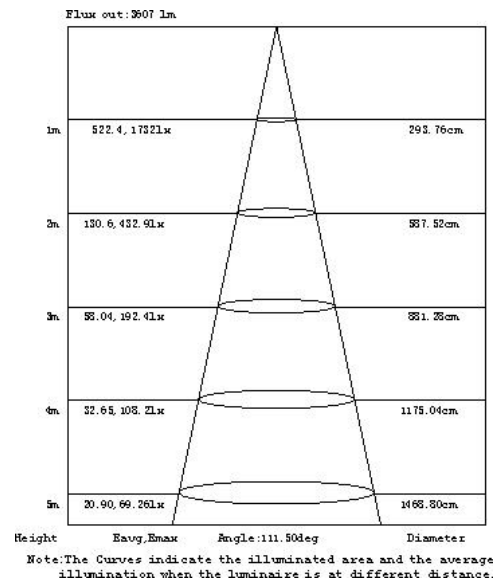
Note:

1. Different parameters of chip, lumens will be different.
2. Light optic with a little deviation for different color temperature LED, deviation values ≤5%.
3. Working -10~+25 °C of ambient temperature, RH10-80%, Heat dissipation is good.
4. All parameters NOT specially mentioned are measured at 230VAC input, rated load and 25 °C of ambient temperature.

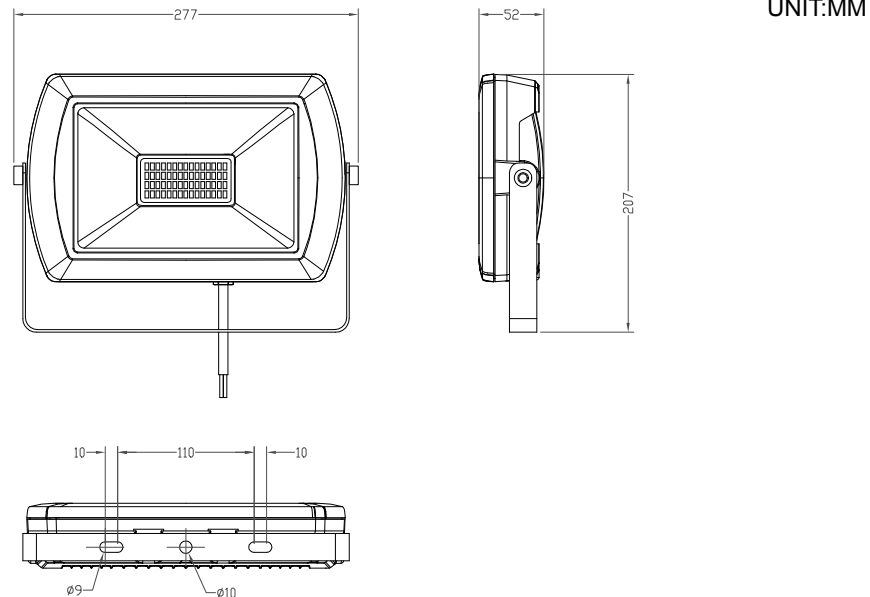
※ Luminous Intensity Distribution Diagram



※ Effective AAI figure



Outline Dimension

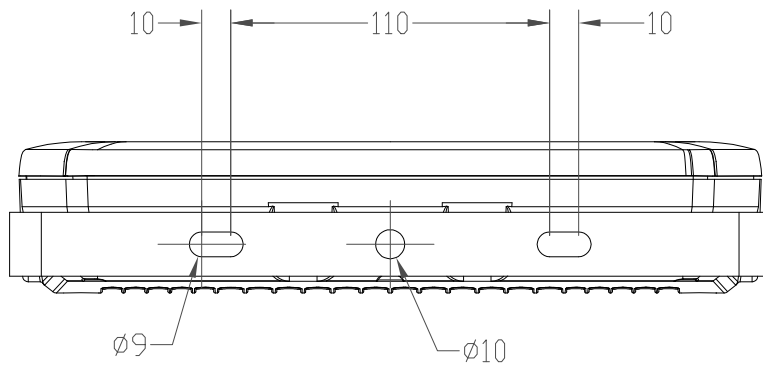


Packing and Weight

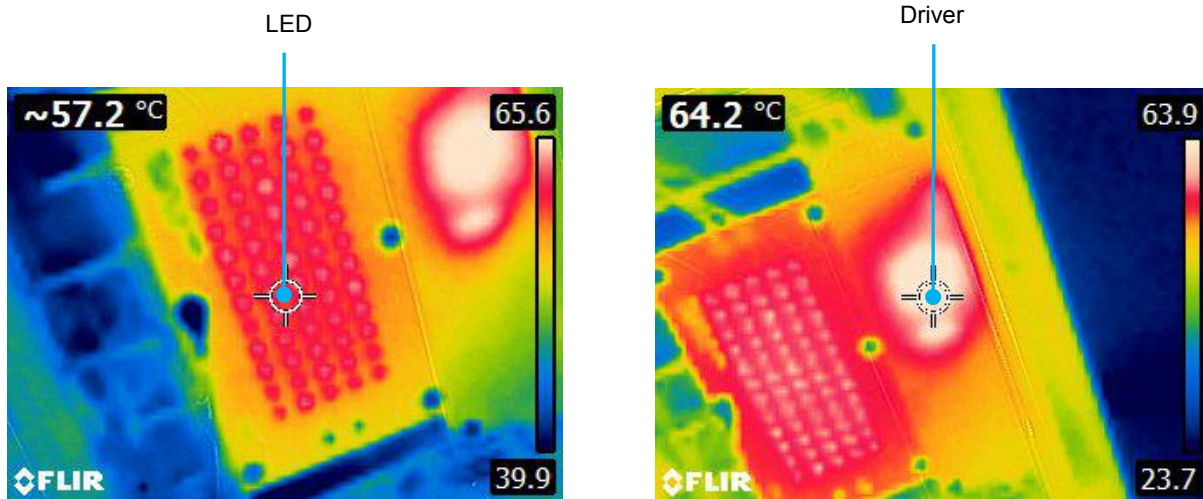
Model	AXKK-256-50
Packing box size (CM*CM*CM)	L32*W9.0*H24
Carton size (CM*CM*CM)	L65.5*W46.5*H26
Quantity per carton (PCS/CTN)	10
Lamp net weight (KG)	2.2±0.10
Gross weight (KG)	23.0±0.5

Installation Manual

※ Installation diagram

**Temperature test**

Ta=23°C

**Note**

- ※ Must be performed by qualified professionals for replacement, In order to avoid danger
- ※ Guarantee the input voltage stability, power supply necessary grounding lightning protection
- ※ Please mount the lamp in a dry, ventilation, clean place, and regularly clean the lamp shell and radiator